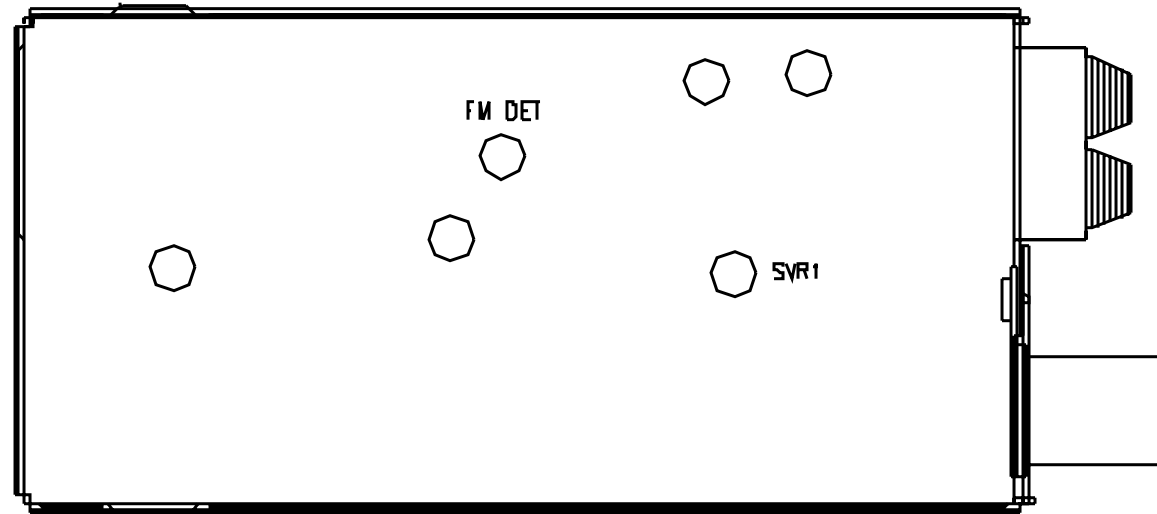
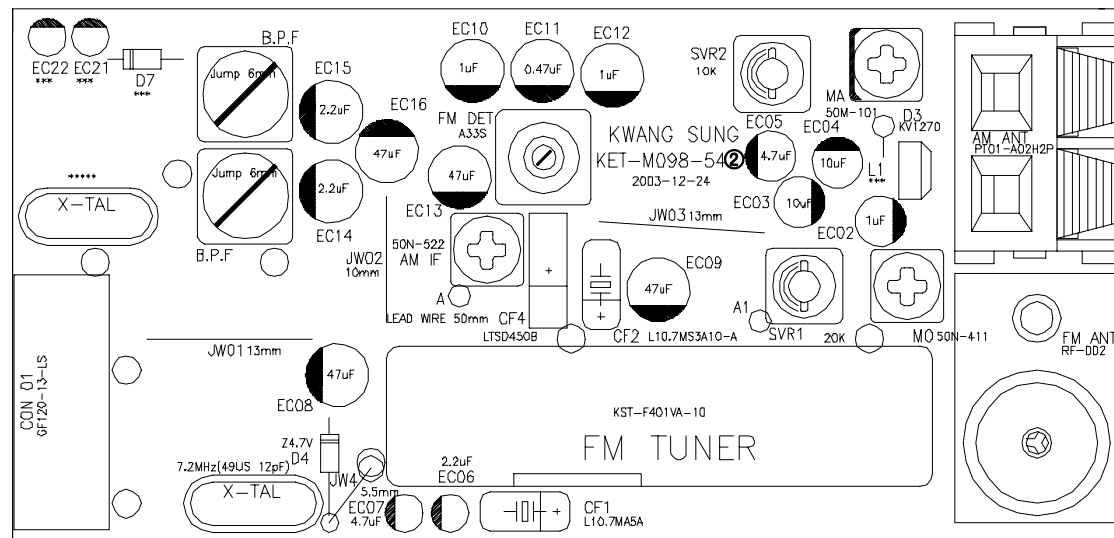


# 1. Alignment and Adjustments

## 1. Tuner



\* Adjustment Location of Tuner PACK



FM THD Adjustment	
SSG FREQ.	98 MHz
Adjustment point (FM DET)	FM DETECTOR COIL
Output	60 dB
Minimum Distortion (0.4% below) (Figure 1-1)	

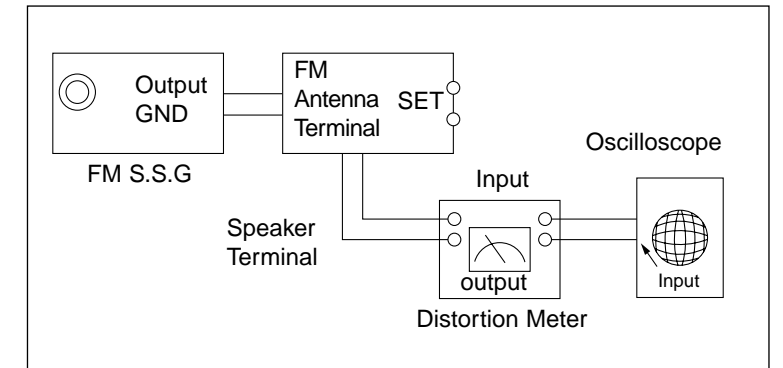


Figure1-1 IF CENTER and THD Adjustment

FM Search Level Adjustment	
SSG FREQ.	98 MHz
Adjustment point (SVR1)	BEACON SENSITIVITY SEMI-VR(20KΩ)
Output	28 dB(±2dB)
Adjust SVR1 so that "TUNED" of FLT is lighted (Figure 1-2)	

\*Adjust FM S.S.G level to 28dB

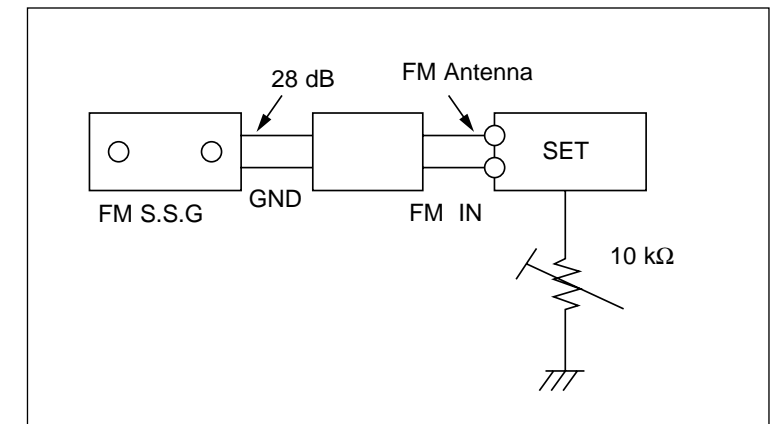


Figure1-2 FM Auto Search Level Adjustment

\* AM, LW, SW Band : No Adjustment point